



FUJIKURA COMPOSITES

“VFR” series

Integration with our regulator "RG2" alleviates the influence of primary pressure fluctuation.

■ Features

- Flow rate is easy to setting by current control.
- The flow rate can be steplessly changed by the current value.
- Hysteresis is less and reproducibility is good.
- PWM control is possible.



■ Applications

-Medical equipment

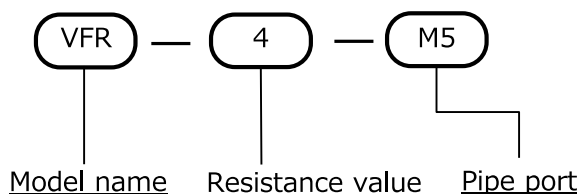
Fine flow rate control of various medical equipment, respirator, anesthesia machine and so on.

It is suitable for applications requiring compact and highly accurate pressure characteristics.

■ Specification

Model name		VFR-4-M5
Working fluid		Clean compressed air
Setting pressure range	kPa[psi]	200 [29.01] Max.
Operating pressure range	kPa[psi]	0 ~ 40 [0 ~ 5.80]
Outside flow rate adjustment range	L/min	0.1 ~ 7.5 (Pressure setting 20kPa[2.90psi])
Operating temperature range	℃[°F]	5 ~ 50 [32 ~ 122]
Power consumption	W	2 or less(DC12V)
Input signal range	mA	120 Max.
Resistance value	Ω	47
Cable length	mm[inch]	470 [18.50]
Cable diameter	AWG	26
Pipe port		M5

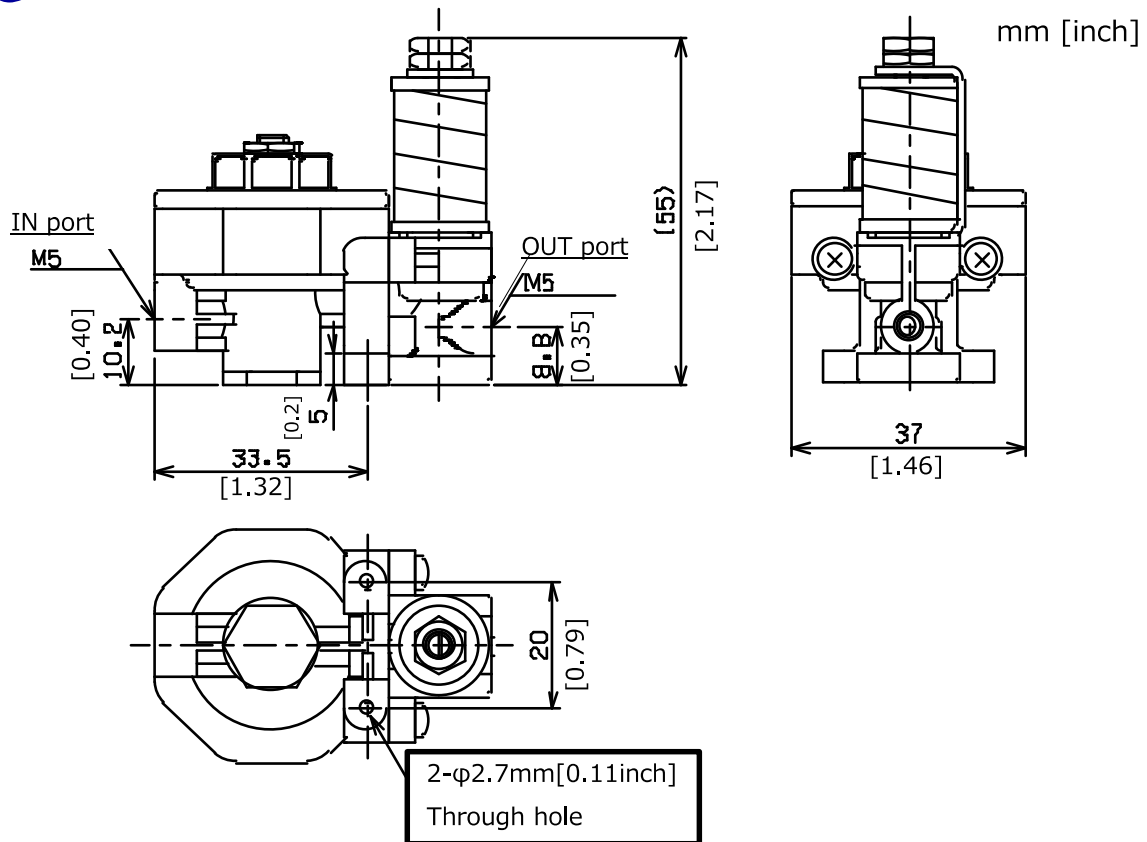
■ Model designation





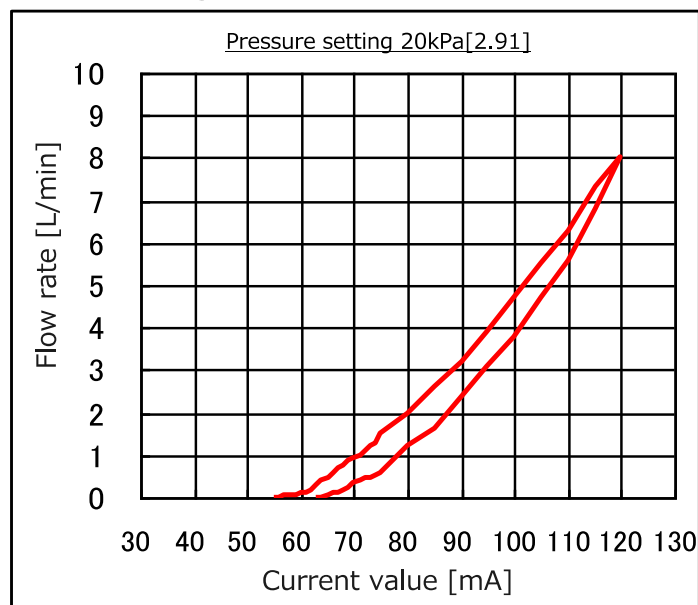
FUJIKURA COMPOSITES

■ Size



■ Characteristic

Voltage-current characteristics



**FUJIKURA
COMPOSITES**

Contact us

Control Equipment
Head office: TOC Ariake East Tower 10F, 3-5-7 Ariake,
Koto-ku, Tokyo, Japan 135-0063
TEL +81-3-3527-8573
E-mail: seigyotoiawase.en@fc.fujikura.co.jp
URL: <http://www.fujikura-control.com/>